

# AV Control Stereo Receiver SA-EX110

## Operating Instructions



# Technics®

### Table of Contents

- 1. Introduction
- 2. Safety Precautions
- 3. Features
- 4. Front Panel Controls
- 5. Rear Panel Connections
- 6. Operation
- 7. Troubleshooting
- 8. Maintenance
- 9. Specifications
- 10. Appendix



Before connecting, operating or adjusting this product, please read these instructions completely. Please save this manual.

P PC

RQT3819-P

## Dear Customer

Thank you for purchasing this Technics product.  
For optimum performance and safety, please read these instructions carefully.

## Table of contents

<b>Precautions</b> .....	<b>3</b>
<b>Accessories</b> .....	<b>4</b>
<b>Concerning the remote control</b> .....	<b>4</b>
<b>Front panel controls</b> .....	<b>5</b>
<b>Equipment connections</b> .....	<b>6</b>
<b>Antenna connections</b> .....	<b>8</b>
<b>Speaker connections</b> .....	<b>10</b>
<hr/>	
<b>Basic operations</b> .....	<b>11</b>
To adjust the tone quality.....	12
To adjust the sound balance.....	12
To mute the sound level.....	12
To listen through headphones.....	12
<b>Listening to radio broadcasts</b> .....	<b>13</b>
Sequential tuning.....	13
Direct tuning.....	13
Preset tuning.....	14
<b>Making a recording</b> .....	<b>16</b>
Recording on the tape deck.....	16
Recording on the VCR.....	16
<hr/>	
<b>Listening caution</b> .....	<b>17</b>
<b>Product service</b> .....	<b>17</b>
<b>Technical specifications</b> .....	<b>18</b>
<b>Troubleshooting guide</b> .....	<b>19</b>

User memo:

DATE OF PURCHASE _____
DEALER NAME _____
DEALER ADDRESS _____
TELEPHONE NUMBER _____

The model number and serial number of this product can be found on either the back or the bottom of the unit. Please note them in the space provided below and keep for future reference.

MODEL NUMBER .....

SERIAL NUMBER .....

THIS PHRASE IS APPLIED ONLY FOR U.S.A.

### CAUTION:

Any unauthorized changes or modifications to this equipment would void the user's authority to operate this device.

### WARNING:

**TO REDUCE THE RISK OF FIRE, ELECTRIC SHOCK OR PRODUCT DAMAGE, DO NOT EXPOSE THIS APPLIANCE TO RAIN, SPLASHING, DRIPPING OR MOISTURE.**

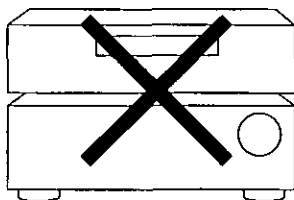
### CAUTION:

**TO PREVENT ELECTRIC SHOCK MATCH WIDE BLADE OF PLUG TO WIDE SLOT, FULLY INSERT.**

	<b>CAUTION</b> RISK OF ELECTRIC SHOCK DO NOT OPEN	
CAUTION: TO REDUCE THE RISK OF ELECTRIC SHOCK, DO NOT REMOVE SCREWS. NO USER-SERVICEABLE PARTS INSIDE. REFER SERVICING TO QUALIFIED SERVICE PERSONNEL.		

### CAUTION

Do not place a tape deck or CD player on top of this unit. Heat radiated from the top of this unit may cause damage to the tape or CD software.



**NO**



The lightning flash with arrowhead symbol, within an equilateral triangle, is intended to alert the user to the presence of uninsulated "dangerous voltage" within the product's enclosure that may be of sufficient magnitude to constitute a risk of electric shock to persons.



The exclamation point within an equilateral triangle is intended to alert the user to the presence of important operating and maintenance (servicing) instructions in the literature accompanying the appliance.

## Precautions

Before using this unit please read these operating instructions carefully. Take special care to follow the warnings indicated on the unit itself as well as the safety suggestions listed below. Afterwards keep them handy for future reference.

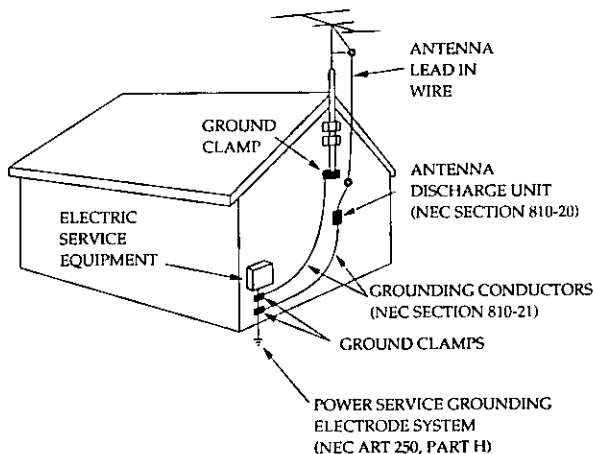
### Safety

- 1. Power Source** -- The unit should be connected to power supply only of the type described in the operating instructions or as marked on the unit.
- 2. Polarization** -- If the unit is equipped with a polarized AC power plug (a plug having one blade wider than the other), that plug will fit into the AC outlet only one way. This is a safety feature. If you are unable to insert the plug fully into the outlet, try reversing the plug. If the plug should still fail to fit, contact your electrician to replace your obsolete outlet. Do not defeat the safety purpose of the polarized plug.
- 3. Power Cord Protection** -- AC power supply cords should be routed so that they are not likely to be walked on or pinched by items placed upon or against them. Never take hold of the plug or cord if your hand is wet, and always grasp the plug body when connecting or disconnecting it.
- 4. Nonuse Periods** -- When the unit is not used, turn the power off. When left unused for a long period of time, the unit should be unplugged from the household AC outlet.

### Installation

#### Environment

- 1. Outdoor Antenna Grounding** -- If an outside antenna is connected to the receiver, be sure the antenna system is grounded so as to provide some protection against voltage surges and built-up static charges. Section 810 of the National Electrical Code, ANSI/NFPA No. 70-1990, provides information with respect to proper grounding of the mast and supporting structure, grounding of the lead-in wire to an antenna discharge unit, size of grounding conductors, location of antenna-discharge unit, connection to grounding electrodes, and requirements for the grounding electrode. See figure below.



NEC-NATIONAL ELECTRICAL CODE

- 2. Water and Moisture** -- Do not use this unit near water-for example, near a bathtub, washbowl, swimming pool, or the like. Damp basements should also be avoided.
- 3. Heat** -- The unit should be situated away from heat sources such as radiators and the like. It also should not be placed in temperatures less than 5°C (41°F) or greater than 35°C (95°F).

### Placement

- 1. Ventilation** -- The unit should be situated so that its location or position does not interfere with its proper ventilation. Allow 10 cm (4") clearance from the rear of the unit.
- 2. Foreign Material** -- Care should be taken so that objects do not fall into and liquids are not spilled into the unit. Do not subject this unit to excessive smoke, dust, mechanical vibration, or shock.
- 3. Magnetism** -- The unit should be situated away from equipment or devices that generate strong magnetic fields.
- 4. Stacking** -- Do not place heavy objects, other than system components, on top of the unit.
- 5. Surface** -- Place the unit on a flat, level surface.
- 6. Carts and Stands** -- The unit should be used only with a cart or stand that is recommended by the manufacturer. The unit and cart combination should be moved with care. Quick stops, excessive force, and uneven surfaces may cause the unit and cart combination to overturn.
- 7. Wall or Ceiling Mounting** -- The unit should not be mounted to a wall or ceiling, unless specified in this operating instructions.

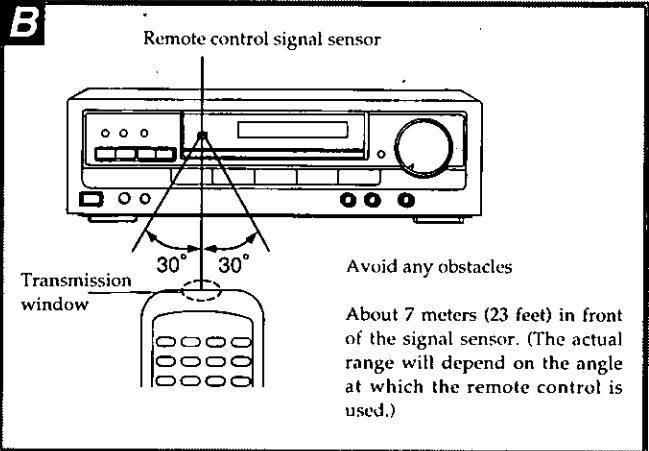
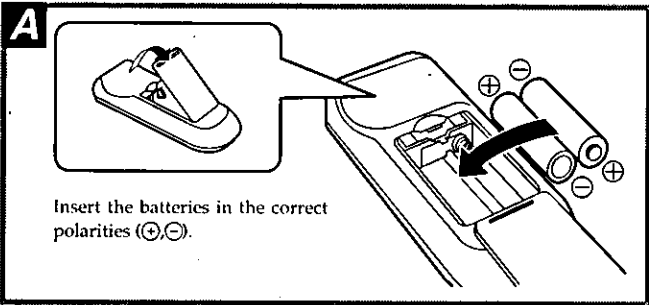
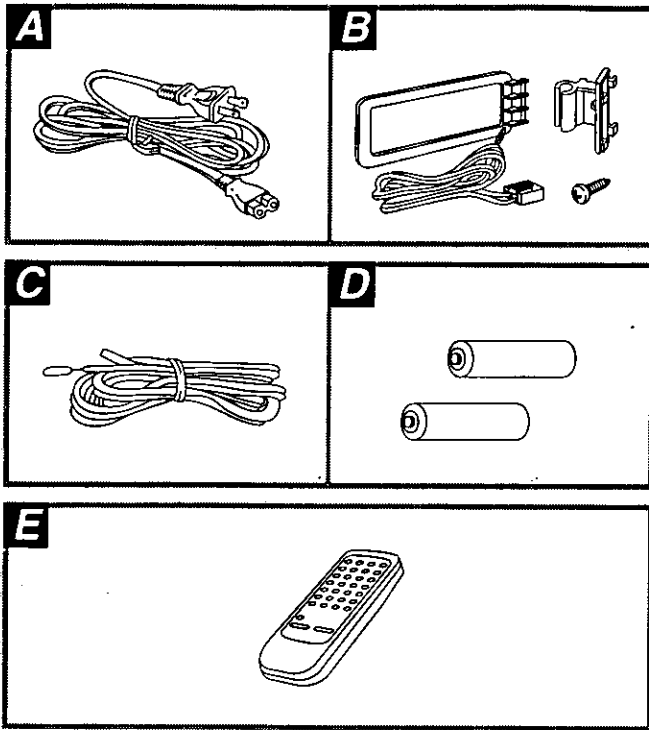


### Maintenance

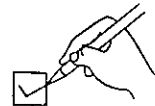
Clean the cabinet, panel and controls with a soft cloth lightly moistened with mild detergent solution. Do not use any type of abrasive pad, scouring powder or solvent such as alcohol or benzene.

### Service

- 1. Damage Requiring Service** -- The unit should be serviced by qualified service personnel when:
  - (a) The AC power supply cord or the plug has been damaged; or
  - (b) Objects have fallen or liquid has been spilled into the unit; or
  - (c) The unit has been exposed to rain; or
  - (d) The unit does not appear to operate normally or exhibits a marked change in performance; or
  - (e) The unit has been dropped, or the enclosure damaged.
- 2. Servicing** -- The user should not attempt to service the unit beyond that described in the operating instructions. All other servicing should be referred to an authorized service personnel. (Only for U.S.A.)  
Call 1-800-545-2672 for the address of an authorized factory servicenter.



## Accessories



Please check and identify the supplied accessories.

- A** AC power supply cord (SJA 172) .....1 pc.
- B** AM loop antenna set (RSA0010)
  - AM loop antenna .....1 pc.
  - AM loop antenna holder .....1 pc.
  - Screw .....1 pc.
- C** FM indoor antenna (RSA0006) .....1 pc.
- D** Batteries .....2 pcs.
- E** Remote control transmitter (EUR644346) .....1 pc.

Use numbers indicated in parentheses when asking for replacement parts.

(Only for U.S.A.)

To order accessories call MSC Accessory Dept. 1-800-332-5368.

## Concerning the remote control

### Battery installation

- Thoroughly clean the battery compartment before inserting new batteries.
- Do not mix old and new batteries, or batteries of different types (carbon and alkaline, etc.).
- If you will not use the remote control for a long period of time, remove the batteries and store them in a cool, dark place.
- Do not use rechargeable type batteries.
- Do not attempt to recharge alkaline or carbon batteries.
- Always remove old, weak or worn-out batteries promptly and dispose of them properly.
- Never subject batteries to excessive heat or flame; do not attempt to disassemble them; and be sure they are not short-circuited.
- If the leaking electrolyte comes into contact with skin or clothes, flush with water immediately.

### Battery life

Battery life is about one year.

The batteries should be replaced if the system fails to respond to commands from the remote control transmitter even when held close to the remote control signal sensor.

### When you need to replace these batteries

Use two R6/LR6, AA size, UM-3

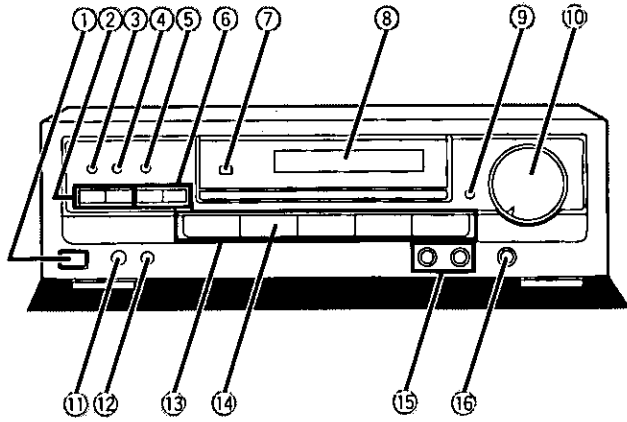
### Method for use

#### Note

Be sure the transmission window and the signal sensor are free from dust. Excessive dust might affect performance.

The operation may not be correct if direct sunlight or another strong light source strikes the signal sensor of this unit. If there is a problem, place the unit away from the light source.

## Front panel controls



① Power "STANDBY /ON" switch  
(POWER, STANDBY /ON)

Press to switch the unit from on to standby mode or vice versa. In standby mode, the unit is still consuming a small amount of power.

② Tuning buttons (TUNING)

③ Band select button (BAND)

④ FM mode select button (FM AUTO/MONO)

⑤ Memory button (MEMORY)

⑥ Preset channel buttons (PRESET)

⑦ Remote control signal sensor (SENSOR)

⑧ Display

⑨ Muting button (MUTING)

⑩ Volume control (VOLUME)

⑪ Headphones jack (PHONES)

⑫ Speakers select button (SPEAKERS)

⑬ Input select buttons

⑭ Tape monitor button (TAPE MONITOR)

⑮ Tone controls (BASS, TREBLE)

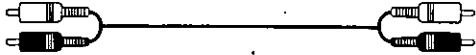
⑯ Balance control (BALANCE)

# Equipment connections

## Connecting audio equipment

### Stereo connection cable (not included)

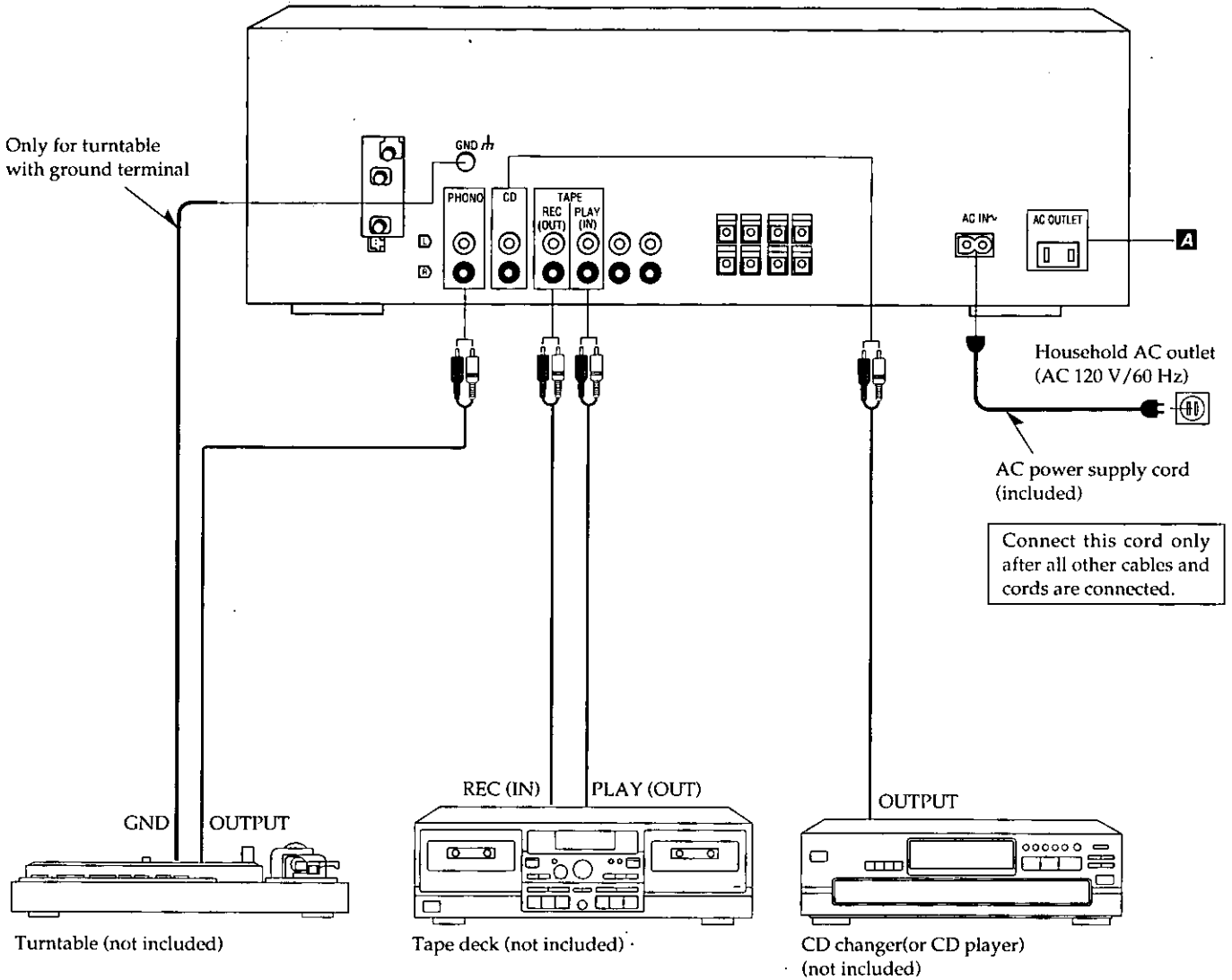
White (L)  
Red (R)



### Note

Do not place books, etc., on top of this unit or block the heat radiation vents in any way.

Before use





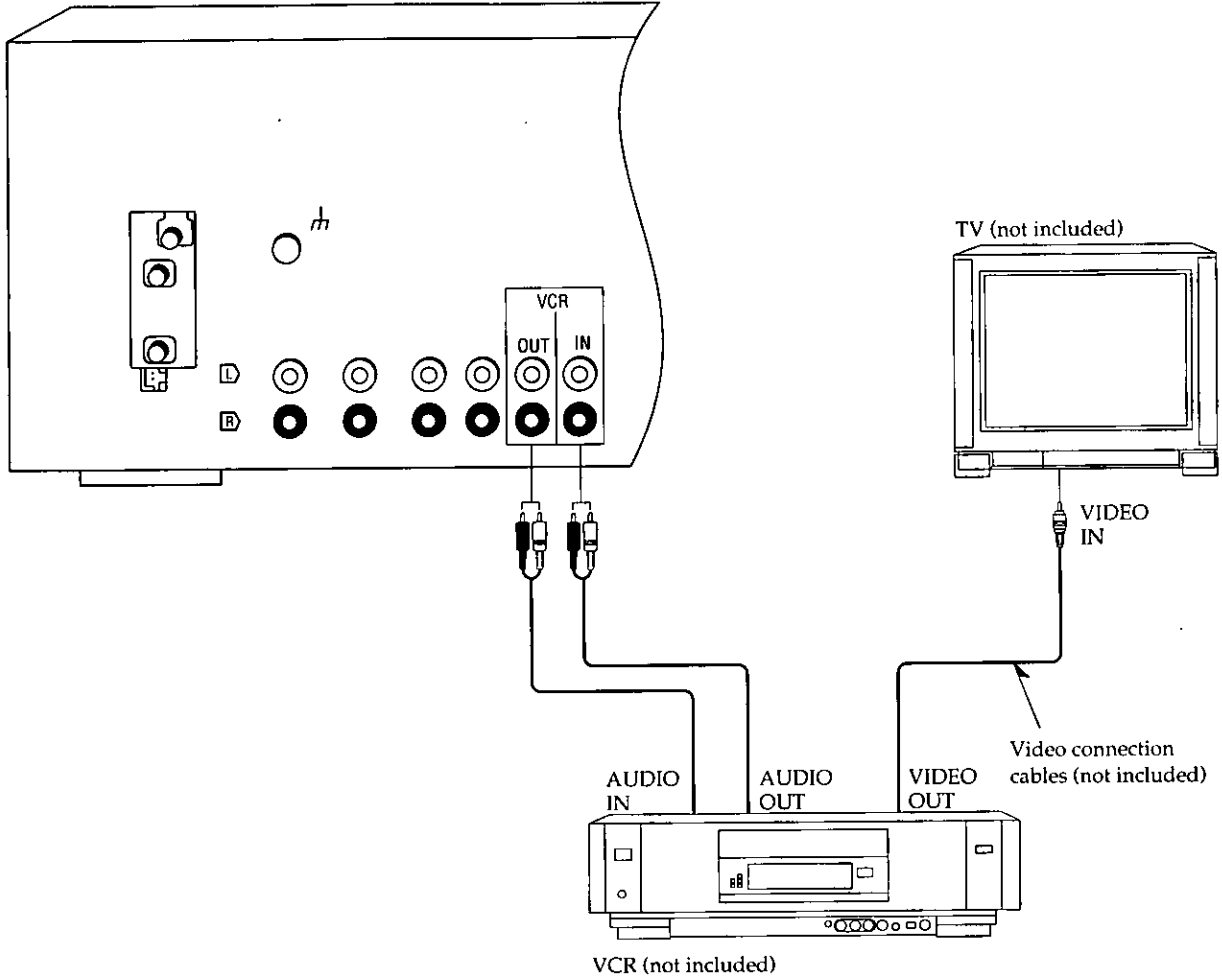
### “SWITCHED” AC outlet **A**

Power to the outlet is controlled by the power switch of this unit. Audio equipment rated up to 80W can be connected here.

## Connecting video equipment

### Stereo connection cable (not included)

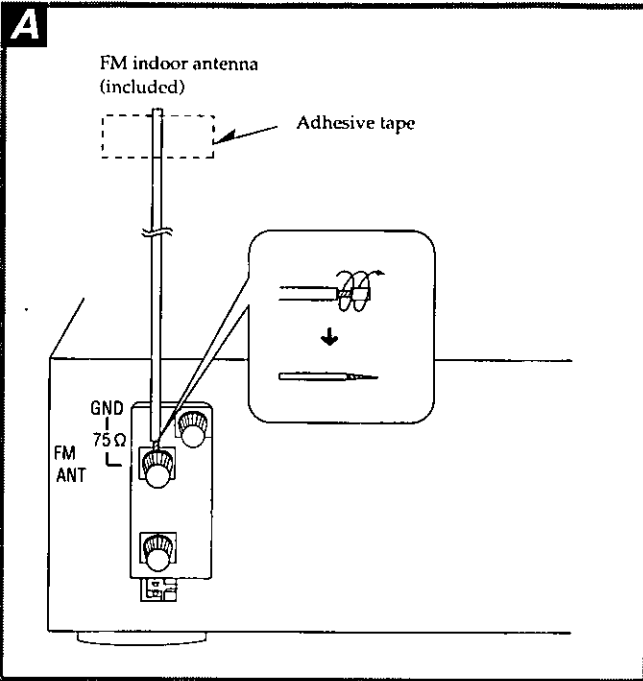
White (L)   
Red (R) 



Before use

To connect equipment, refer to the appropriate operation instructions.

## Antenna connections



### FM indoor antenna (included) **A**

This antenna is normally sufficient for reception of FM broadcasts.

Attach to a wall (using a tape) facing in the direction of best reception.

#### For best reception sound quality

An FM outdoor antenna is recommended.

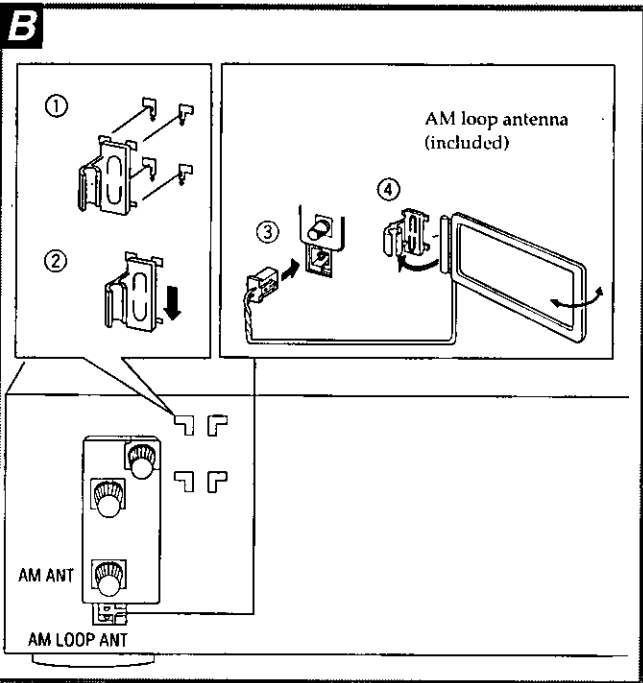
### AM loop antenna (included) **B**

This antenna is normally sufficient for reception of AM broadcasts.

Install the AM loop antenna holder (included) at the rear panel of this unit and then attach the AM loop antenna to the AM loop antenna holder (facing in the direction of best reception).

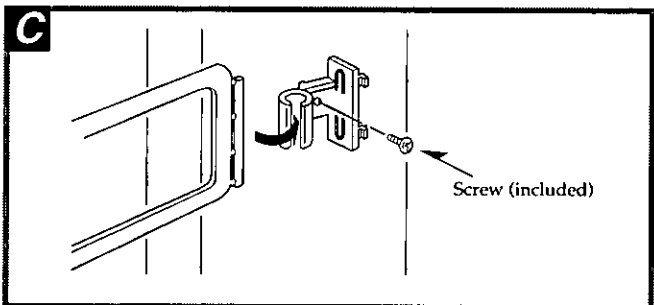
#### Pay attention to the following points when mounting the antenna.

- Do not mount it horizontally (Doing so will impair reception).
- Do not mount it close to power cords, speaker wires or metal surfaces (Doing so will result in noise).
- Do not mount it close to a tape deck. When the tape deck is being used, chirping or beeping sounds may result.



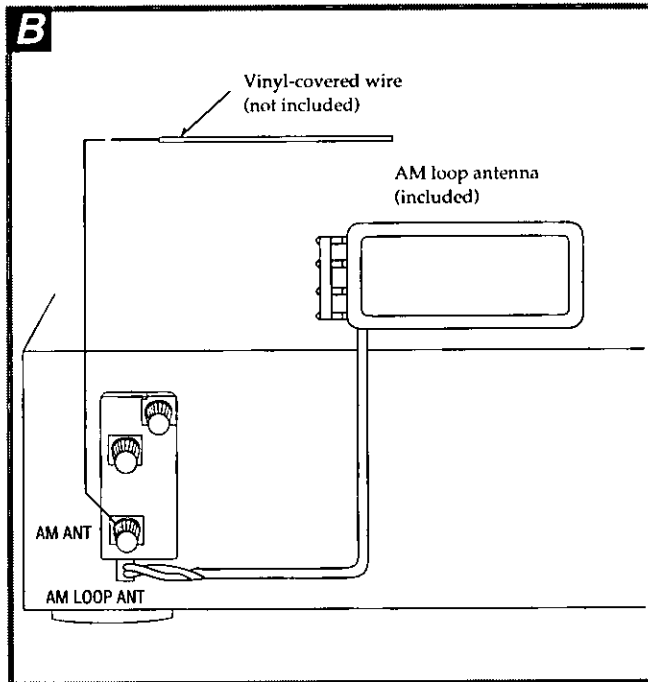
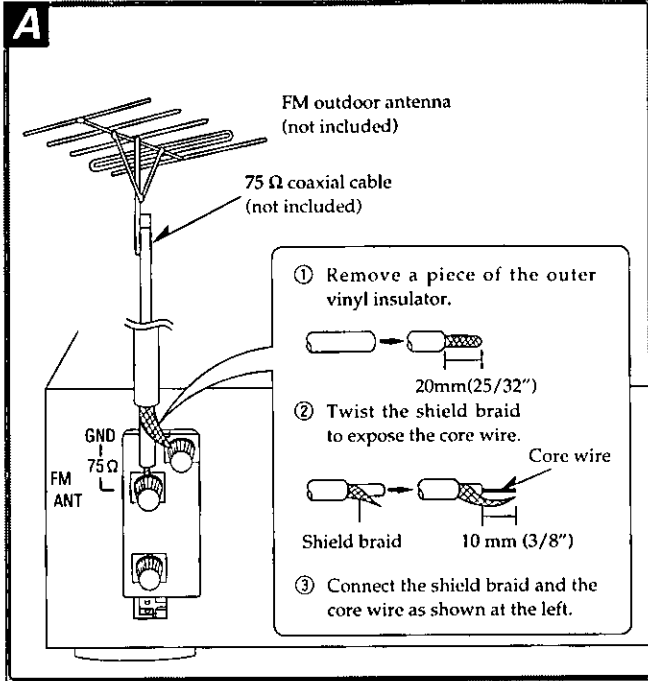
### When mounting the antenna to a column, a wall or rack **C**

Mount it vertically.





## Antenna connections



### FM outdoor antenna (not included) **A**

The outdoor antenna should be used when using this unit in mountainous areas or in spaces enclosed by reinforced concrete where the FM indoor antenna (included) does not provide satisfactory reception.

Disconnect the FM indoor antenna if an FM outdoor antenna is installed.

#### Note

An outdoor antenna should be installed by a qualified technician only.

### AM outdoor antenna (not included) **B**

The outdoor antenna should be used when using this unit in mountainous areas or in spaces enclosed by reinforced concrete where the AM loop antenna (included) does not provide satisfactory reception.

Stretch 5–12 m (16–40 ft.) of vinyl-covered wire horizontally across a window frame or other convenient location, keeping it as high as possible from the ground.

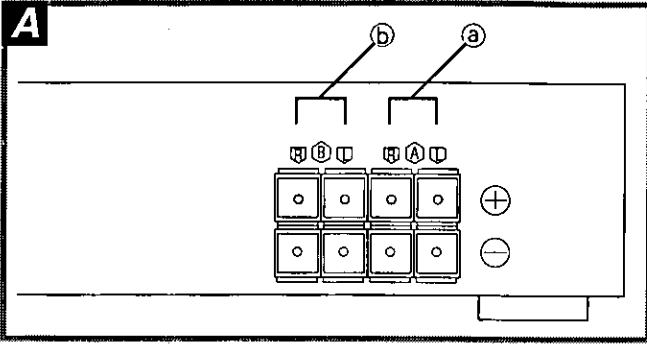
When the unit is not in use, disconnect the outdoor antenna to prevent possible damage that may be caused by lightning. Never use an outdoor antenna during an electrical storm.

#### Note

Be sure to connect the AM loop antenna even when an outdoor antenna is used.

## Speaker connections

A



### Connecting speakers

**a) Front "A" speakers**

Speaker impedance: 8 Ω

**b) Front "B" speakers**

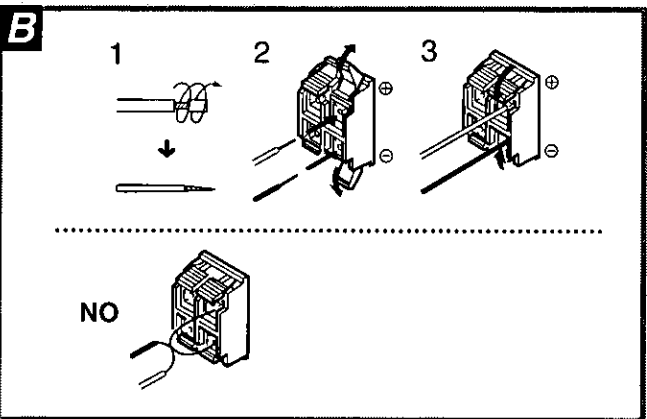
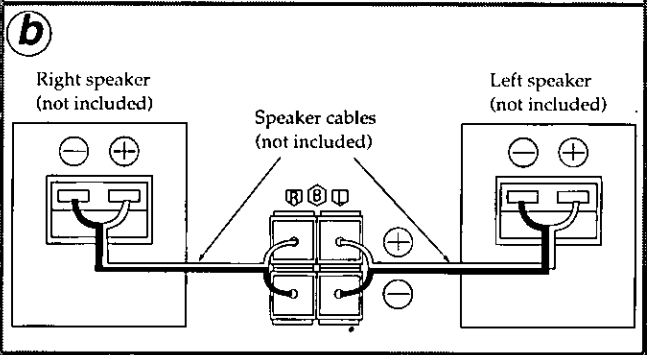
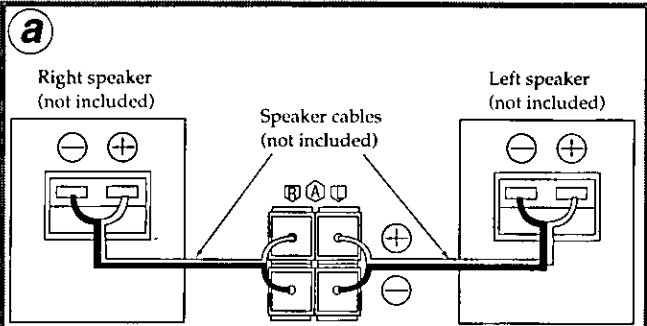
For connection to a second pair of speakers.

Speaker impedance: 8 Ω

### Connecting the speaker cables **B**

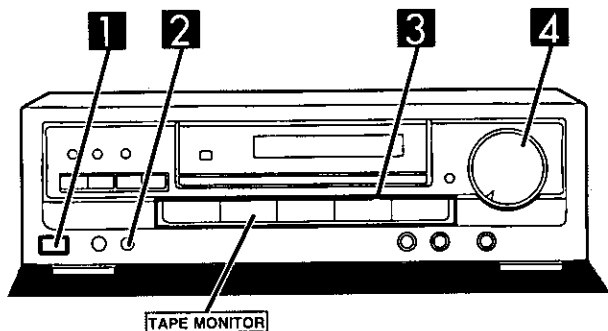
**Note**

To prevent damage to circuitry, never short-circuit positive (+) and negative (-) speaker wires.



## Basic operations

Before operation, set VOLUME to the "MIN" position.



- 1** Press **POWER**.
- 2** Press **SPEAKERS** to select the speaker system to be used.

Changes as follows each time the button is pressed.  
 SPEAKERS **A** → SPEAKERS **B** → (OFF)

### Note

Speakers A and B cannot be used at the same time.

### Caution

Before selecting your speaker system, make sure impedance is correct in the speakers you want to use. (See page 10.)

- 3** Press to select the desired source, and start the desired source.  
 (Refer to the appropriate operating instructions for details.)

**VCR:** To watch video tapes (VCR)

**TAPE MONITOR:** To listen to cassette tapes (The tape monitor indicator will appear.)  
 (See below.)

**CD:** To listen to compact discs

**TUNER:** To listen to radio broadcasts

**PHONO:** To listen to phono discs

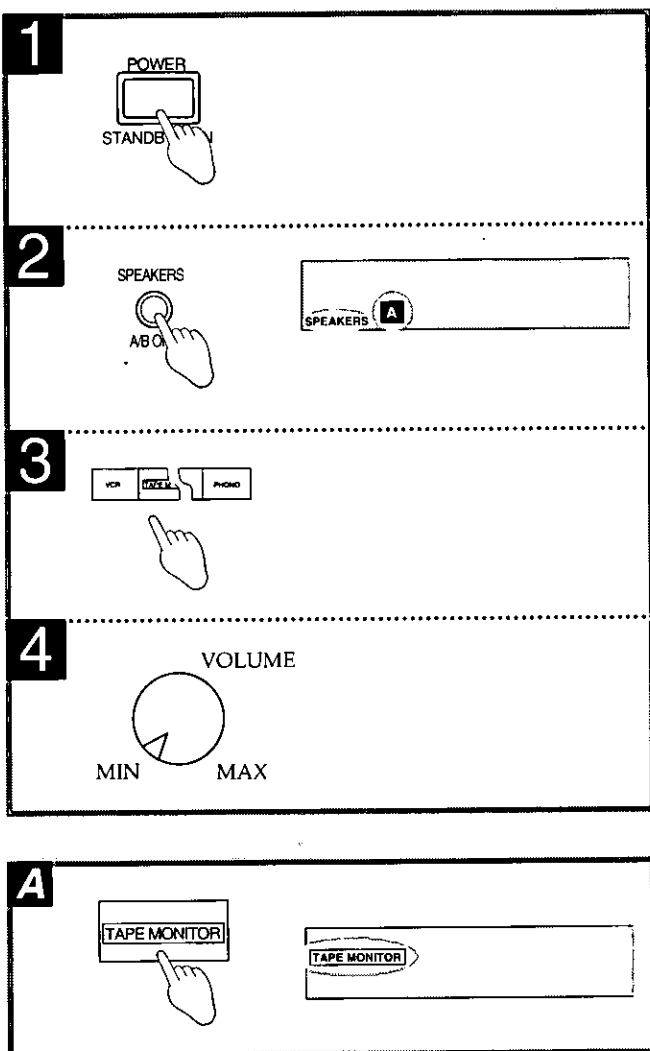
- 4** Turn **VOLUME** to adjust the volume level.

### After listening is finished

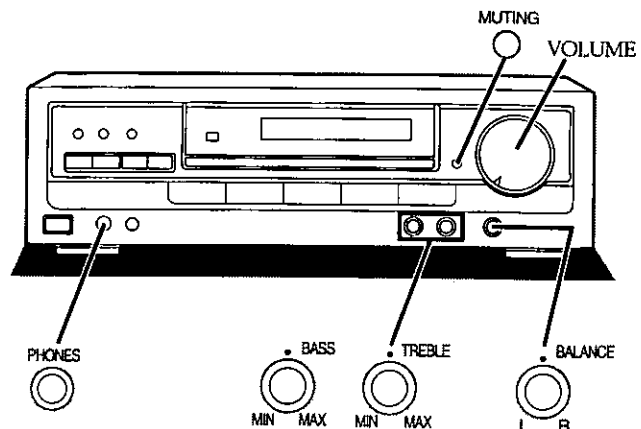
Be sure to reduce the volume level, and switch the power to the standby condition by pressing **POWER**.

### When the tape monitor indicator is lit or flashing **A**

This indicates that the tape monitor function of this unit is ON. To listen to sources other than a tape, be sure to press **TAPE MONITOR** and check the indicator goes out.



Basic operations



To adjust the tone quality **A**

Turn BASS to adjust the low frequency sound.  
Turn TREBLE to adjust the high frequency sound.

To adjust the sound balance **B**

Turn BALANCE to adjust the left/right sound balance.

To mute the sound level **C**

Press MUTING.

The message "MUTING ON NOW" runs repeatedly from right to left across the display as long as the muting function is on.

Press once again to return to the previous volume level.

Note

When the receiver is turned off, the muting operation will be automatically canceled.

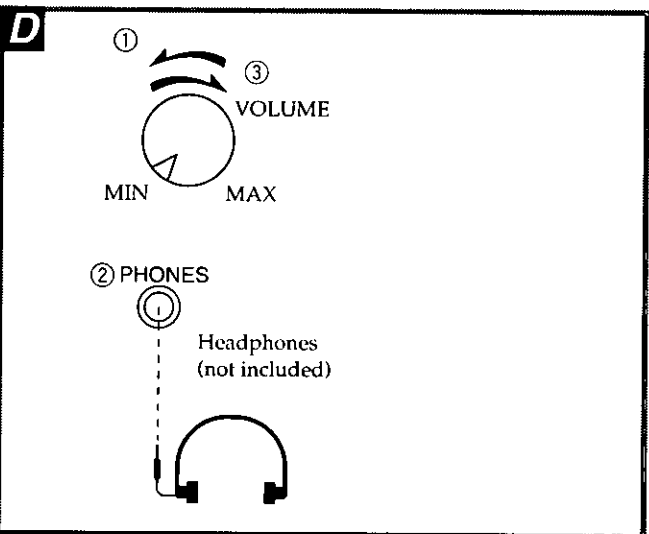
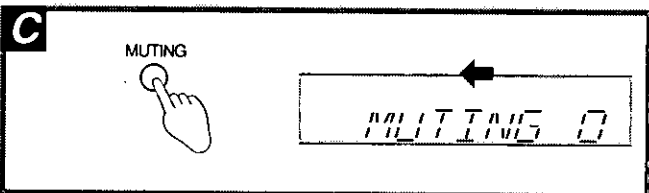
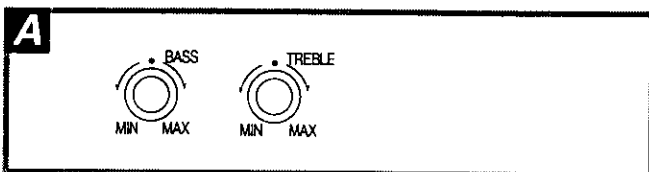
To listen through headphones **D**

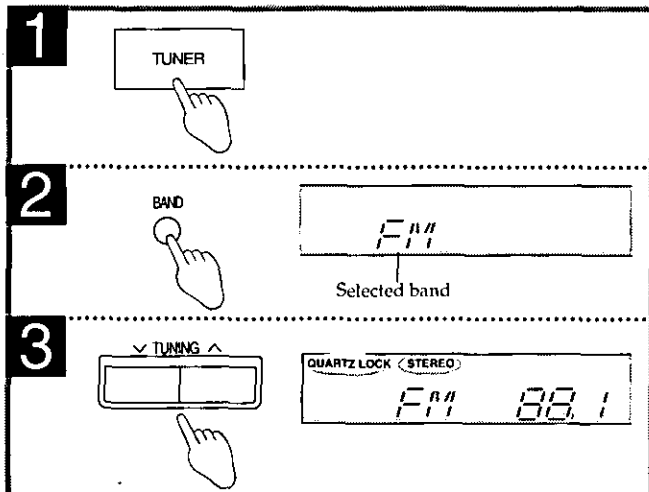
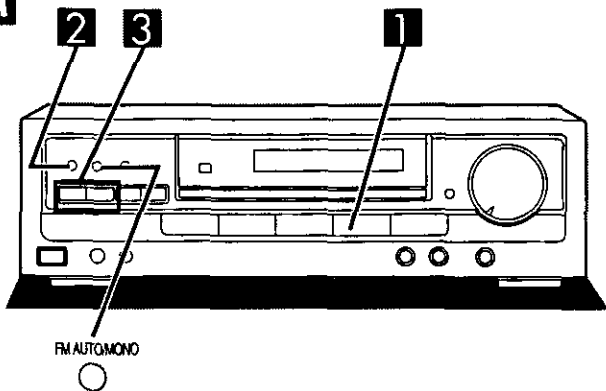
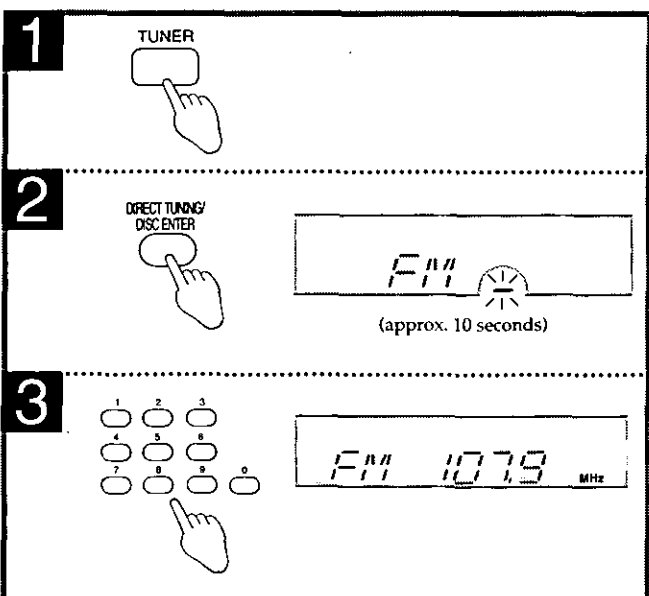
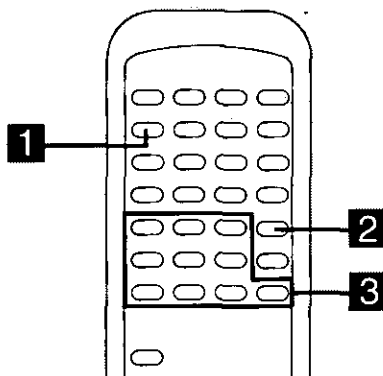
- ① Use VOLUME to reduce the volume level.
- ② Connect the headphones.  
Plug type: 6.3 mm (1/4 in.) stereo
- ③ Use VOLUME to adjust the volume level.

If you do not want sound from the speakers, press SPEAKERS button and check the speaker indicator(s) goes out.

Note

Avoid listening for prolonged periods of time to prevent hearing damage.



**A****B**

## Listening to radio broadcasts

### Sequential tuning **A**

You can use the tuning buttons to tune-in radio broadcasts.

- 1** Press TUNER.
- 2** Press BAND to select "FM" or "AM".
- 3** Press TUNING (V) or (^) to tune to the desired broadcast.

Tuning intervals FM:0.2 MHz  
AM:10 kHz

"QUARTZ LOCK" lights up when tuned.

"STEREO" lights up when an FM stereo broadcast is received.

#### To make an automatic search for broadcast stations

If TUNING (V) or (^) is held down for an instant until the frequency begins to scroll, the broadcast stations can be tuned in automatically when a broadcast station is found.

#### Note

Tuning may stop automatically if any jamming is encountered.

#### If noise is excessive in the FM stereo mode

Press FM AUTO/MONO.

(The "STEREO" indicator will go out, and the "MONO" indicator will light up.)

The broadcast will be monaural, but noise will be reduced.

If the button is pressed once more, the stereo mode will be resumed.

### Direct tuning **B**

(Only available from the remote control.)

Specify the frequency using the numeric buttons on the remote control transmitter to directly tune to the desired broadcast station.

First select between FM and AM with the BAND button on the receiver.

- 1** Press TUNER.  
This will set the remote control to operate the tuner.
- 2** Press DIRECT TUNING/DISC ENTER.
- 3** Press the appropriate numeric buttons to enter the frequency, while cursor display is flashing.

Tuning intervals FM:0.1 MHz  
AM:10 kHz

If the desired FM frequency is 107.9 MHz, press

**1** → **0** → **7** → **9**

If the frequency has been input correctly, the displayed frequency will blink once.

#### Note

1. If no button is pressed while the cursor display is flashing, the display will return to the frequency which is currently being received. To re-specify the frequency, repeat the procedure from step 2.
2. If the frequency has not been input correctly, "ERROR" indication will be displayed. In this case, re-enter the frequency.

**Preset tuning**

Presetting radio stations into the memory channels of this unit makes selecting stations easy and simple.

A total of 30 FM and AM stations can be preset.

**Please remember this**

If a new broadcast station is preset into a channel, the setting for the broadcast station which was previously entered in that channel will be automatically erased.

**Automatic memory presetting**

Automatic memory presetting allows this unit to automatically search for broadcast stations and then preset them into memory. With this method, the channels that can be preset into the memory are set as follows for different bands (FM or AM).

**When FM broadcast stations are preset,**

For FM broadcast stations.....1-30

**When FM and AM broadcast stations are preset,**

For FM broadcast stations.....1-20

For AM broadcast stations.....21-30

**1** Set to the frequency from which you want to start automatic memory presetting. (See page 13.)

**2** Press MEMORY until the frequency begins to change. (Automatic memory presetting will start.) During automatic memory presetting, the memory indicator will flash while the frequency scrolls.

To stop, press MEMORY once again.

**When a broadcast station is preset** **A**

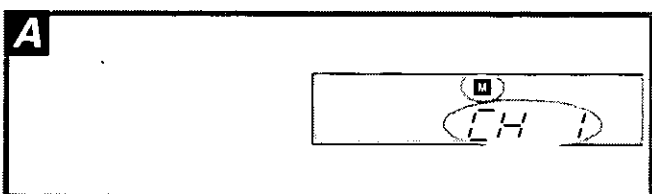
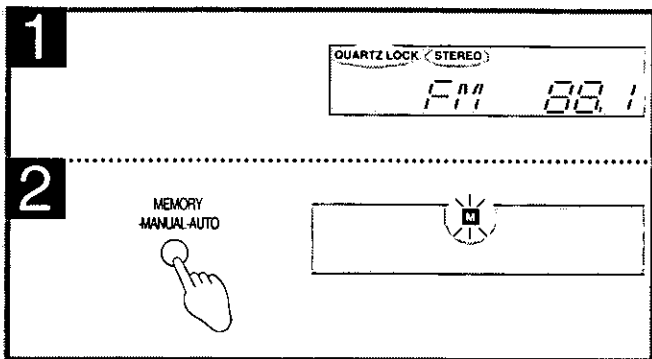
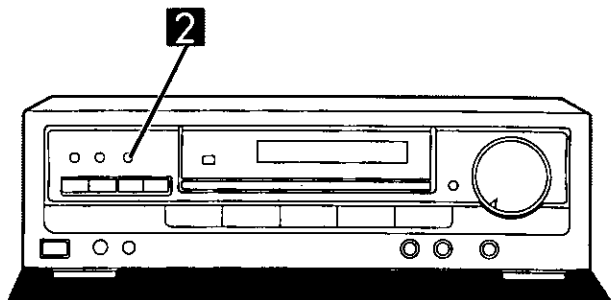
The memory indicator and the preset channel number will be displayed for approximately 1 second.

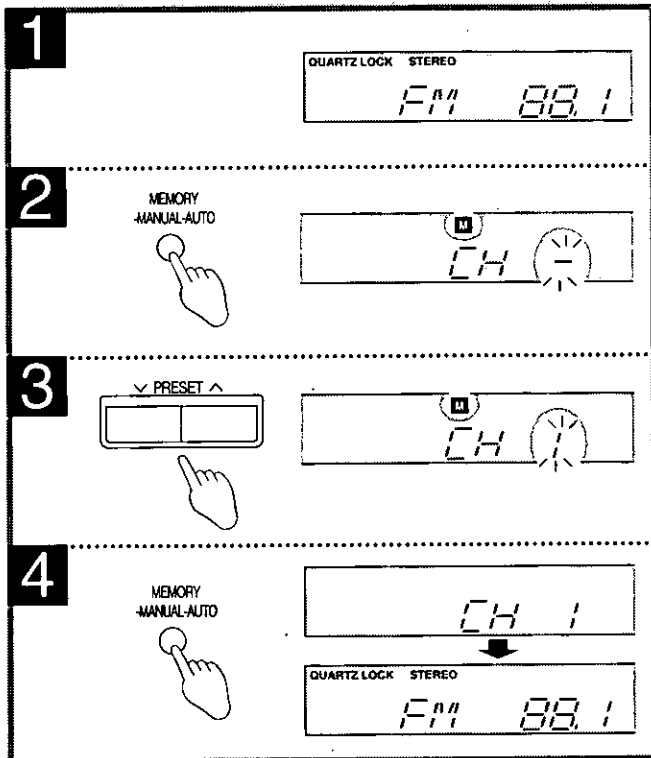
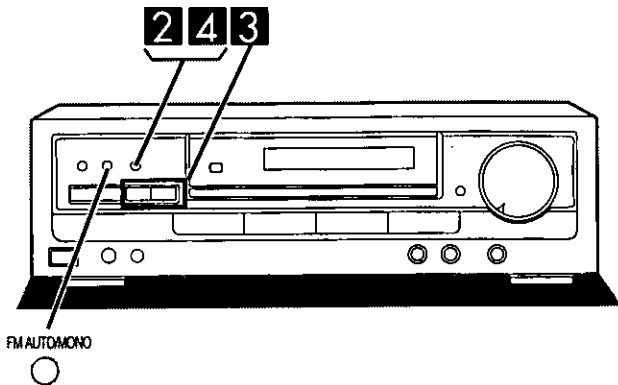
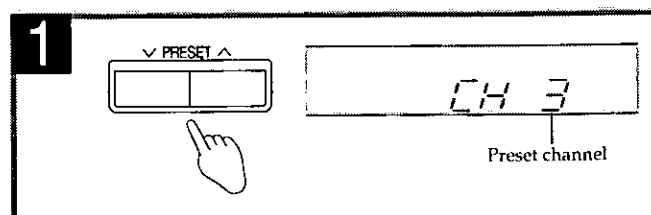
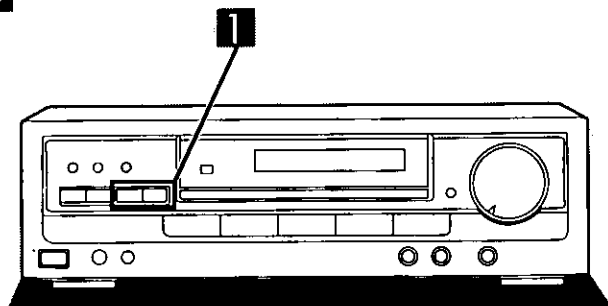
**When presetting is completed**

The last broadcast station to be preset will be displayed.

**Note**

Frequencies may not be preset correctly in cases where the broadcast waves are too strong or too weak. In such cases, carry out presetting manually. (See page 15)



**A****B****Listening to radio broadcasts****Manual memory presetting A**

The desired broadcast stations can be preset into the desired channels by the user.

- 1 Set to the desired broadcast.**  
(See page 13.)

If interference or static is keeping you from enjoying an FM broadcast, press FM AUTO/MONO and change to monaural. You can preset the memory in monaural just as in stereo.

- 2 Press MEMORY.**  
To cancel the memory function, press MEMORY again.
- 3 Press PRESET (∇) or (∧) to select the desired channel.**  
Holding the buttons down lets you scroll through channels faster.
- 4 Press MEMORY.**  
The channel will blink on the display.

**To continue presetting**  
Repeat steps 1 through 4.

**To listen to preset broadcast stations B**

- 1 Press PRESET (∇) or (∧) to select the desired channel.**  
Holding the buttons down lets you scroll through channels faster.

**To confirm the channel number of the broadcast station being received**

Press TUNER.  
(The channel number will be displayed for approximately 1 second.)

**Note**

The channel number is not displayed if you change the reception frequency or FM mode setting.

**For your reference**

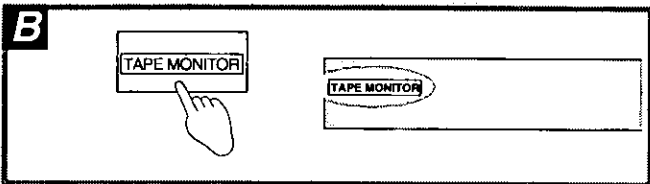
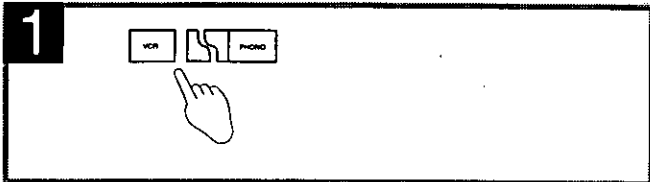
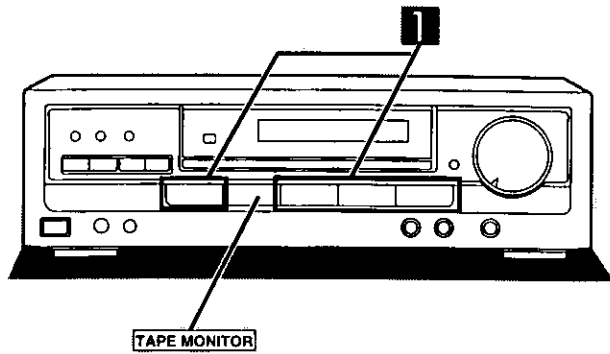
Even if the power is switched to standby or the power cord is disconnected from the household AC outlet, the memory will retain its contents for approximately one month.

**If frequency presettings are accidentally erased**

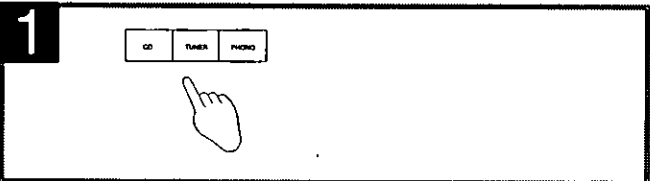
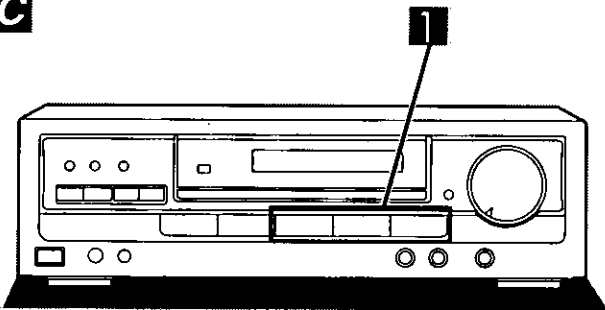
Make the presettings once again.

The power cord should remain connected for one hour or more for the memory back-up to be effective.

**A**



**C**



**Making a recording**

**Recording on the tape deck**

**A**

Before recording, prepare the tape deck for recording (recording level adjustment, etc.).

See the tape deck's operating instructions for details.

- 1** **Select the desired source to be recorded.**  
Press any button except **TAPE MONITOR** to select the source you want to record from.
- 2** **Begin recording.**  
Follow your tape deck's operating instructions.
- 3** **Begin the desired source to be recorded.**

**To check the sound recorded while a recording is being made**

With a tape deck with 3 head system, it is possible to check the sound recorded on the tape.

Press **TAPE MONITOR** on this unit and set the monitor button on the tape deck to "TAPE".

Press **TAPE MONITOR** once again to turn it off.

**Recording on the VCR**

Before recording, prepare the VCR for recording (recording level adjustment, input selector setting, etc.).  
See the VCR's operating instructions for details.

**Recording from an audio source**

- 1** **Select the audio source to be recorded.**  
Press either CD, TUNER or PHONO to select the source you want to record from.  
**Note**  
Recording from the tape deck is not possible.
- 2** **Begin recording on the VCR**  
Follow your VCR's operating instructions.
- 3** **Begin the audio source to be recorded.**



## Listening caution



Selecting fine audio equipment such as the unit you've just purchased is only the start of your musical enjoyment. Now it's time to consider how you can maximize the fun and excitement your equipment offers. This manufacturer and the Electronic Industries Association's Consumer Electronics Group want you to get the most out of your equipment by playing it at a safe level. One that lets the sound come through loud and clear without annoying blaring or distortion—and, most importantly, without affecting your sensitive hearing.

We recommend you to avoid prolonged exposure to excessive noise.

Sound can be deceiving. Over time your hearing "comfort level" adapts to higher volumes of sound. So what sounds "normal" can actually be loud and harmful to your hearing.

Guard against this by setting your equipment at a safe level BEFORE your hearing adapts.

To establish a safe level:

- Start your volume control at a low setting.
- Slowly increase the sound until you can hear it comfortably and clearly, and without distortion.

Once you have established a comfortable sound level:

- Set the dial and leave it there.

Taking a minute to do this now will help to prevent hearing damage or loss in the future. After all, we want you listening for a lifetime.

### **Product service**

Do not attempt to remove the cover(s) or repair the unit yourself.

Refer servicing to qualified personnel only.

### **Product information**

For product service, product information or assistance in product operation, refer to the servicenter directory.

## ■ AMPLIFIER SECTION

<b>Rated minimum sine wave</b>	
<b>RMS power output</b>	
40 Hz-20 kHz both channels driven	100 W per channel (8 Ω)
0.8% total harmonic distortion	
<b>1 kHz continuous power output</b>	
<b>both channels driven</b>	
0.8% total harmonic distortion	103 W per channel (8 Ω)
<b>Total harmonic distortion</b>	
rated power at 40 Hz-20 kHz	0.8% (8 Ω)
half power at 1 kHz	0.07% (8Ω)
<b>Low frequency damping factor</b>	30 (8 Ω)
<b>Load impedance</b>	
A or B	8 Ω
<b>Dynamic headroom</b>	2 dB (8 Ω)
<b>SMPTE intermodulation distortion</b>	0.3%
<b>Frequency response</b>	
PHONO	RIAA standard curve ±0.8 dB
CD, TAPE, VCR	10 Hz-70 kHz, ±3 dB
<b>Input sensitivity</b>	
PHONO	0.4 mV (3 mV, IHF'66)
CD, TAPE, VCR	27 mV (200 mV, IHF'66)
<b>S/N (IHF A)</b>	
PHONO	70 dB (78 dB, IHF'66)
CD, TAPE, VCR	75 dB (83 dB, IHF'66)
<b>Input impedance</b>	
PHONO	47 kΩ
CD, TAPE, VCR	22 kΩ
<b>Tone controls</b>	
BASS	50 Hz, +10 to -10 dB
TREBLE	20 kHz, +10 to -10 dB

## ■ FM TUNER SECTION

<b>Frequency range</b>	87.9-107.9 MHz
<b>Sensitivity</b>	11.2 dBf (2 μV, IHF '58)
<b>50 dB quieting sensitivity</b>	
MONO	18.3 dBf (4.5 μV, IHF '58)
STEREO	38.3 dBf (45 μV, IHF '58)
<b>Total harmonic distortion</b>	
MONO	0.2%
STEREO	0.3%
<b>S/N</b>	
MONO	75 dB
STEREO	70 dB
<b>Frequency response</b>	20 Hz-15 kHz, +1 dB, -2 dB
<b>Alternate channel selectivity</b>	65 dB
<b>Capture ratio</b>	1 dB
<b>Image rejection at 98 MHz</b>	44 dB
<b>IF rejection at 98 MHz</b>	80 dB
<b>Spurious response rejection at 98 MHz</b>	75 dB
<b>AM suppression</b>	50 dB
<b>Stereo separation</b>	
1 kHz	40 dB
10 kHz	30 dB
<b>Carrier leak</b>	
19 kHz	-35 dB
38 kHz	-50 dB
<b>Antenna terminal</b>	75 Ω (unbalanced)

## ■ AM TUNER SECTION

<b>Frequency range</b>	530-1710 kHz
<b>Sensitivity</b>	-20 μV, 330 μV/m
<b>Selectivity</b>	55 dB
<b>Image rejection at 1000 kHz</b>	40 dB
<b>IF rejection at 1000 kHz</b>	60 dB

## ■ GENERAL

<b>Power supply</b>	AC 120 V, 60 Hz
<b>Power consumption</b>	155 W
	(In standby condition: 2W)
<b>Dimensions (W×H×D)</b>	430×136×309 mm
	(16-15/16"×5-11/32"×12-5/32")
<b>Weight</b>	6.4 kg (14.1 lb.)

### Notes:

- Specifications are subject to change without notice.  
Weight and dimensions are approximate.
- Total harmonic distortion is measured by the digital spectrum analyzer.

## Troubleshooting guide

Before requesting service for this unit, check the chart below for a possible cause of the problem you are experiencing. Some simple checks or a minor adjustment on your part may eliminate the problem and restore proper operation.

If you are in doubt about some of the check points, or if the remedies indicated in the chart do not solve the problem, refer to the directory of Authorized Service Centers (enclosed with this unit) to locate a convenient service center, or consult your Technics dealer for instructions.

(In U.S.A. consult MSC Authorized Servicenters for detailed instructions or call 1-800-545-2672 for the address of an authorized factory servicenter.)

Reference pages indicated in black circles.

Problem	Probable cause(s)	Suggested remedy
<b>While listening to FM broadcasts</b>		
An unusual hissing noise is heard when listening to the broadcast in stereo, but not heard when listening monaurally.	A slight noise may be heard because the method used for modulation of FM stereo broadcasts is different than that used for monaural broadcasts.	<ul style="list-style-type: none"> <li>• Try reducing the treble sound by using the treble control. (12)</li> <li>• Try changing the location, height and/or direction of the antenna. (8 9)</li> <li>• If an indoor antenna is being used, change to an outdoor antenna. (9)</li> <li>• Try using an antenna with more elements.</li> </ul>
Noise is excessive in both stereo and monaural broadcasts.	Poor location and/or direction of the antenna. Transmitting station is too far away.	
The FM stereo indicator or the quartz lock indicator flickers, without completely illuminating.	Poor location and/or direction of the antenna. Transmitting station is too far away.	<ul style="list-style-type: none"> <li>• Try changing the location, height and/or direction of the antenna. (8 9)</li> <li>• If an indoor antenna is being used, change to an outdoor antenna. (9)</li> <li>• Try using an antenna with more elements.</li> </ul>
Excessive distortion in the sound of stereo broadcasts.	Nearby building or mountain.	

<b>While listening to AM broadcasts</b>		
An unusual "beat" sound is heard.	Unit is being used at the same time as the television set. Interference from adjacent broadcast signal.	<ul style="list-style-type: none"> <li>• Turn off the television set, or use this unit farther away from it.</li> <li>• Try reducing the treble sound by using the treble control. (12)</li> </ul>
A low-pitched "hum" sound is heard when the broadcast is tuned.	The AM loop antenna connection wires are too close to the power cord. The power supply frequency from the power cord is modulated and heard from the speakers.	<ul style="list-style-type: none"> <li>• Place the antenna connection wires and the power cord farther apart.</li> <li>• Install a special outdoor antenna. (9)</li> </ul>
A strange hissing noise is produced continuously or intermittently.	Caused by the "discharge phenomenon" and the "oscillation phenomenon" of electric appliances (such as fluorescent lights, TV, small series-type motors, rectification equipment, etc.).	<ul style="list-style-type: none"> <li>• Try placing this unit farther away from such equipment.</li> </ul>

<b>Problems noted at all times</b>		
Power will not switch ON.	The power cord plug is not completely inserted.	<ul style="list-style-type: none"> <li>• Confirm that the power cord plug is connected completely.</li> </ul>
No sound is heard.	The speaker indicator is turned off.	<ul style="list-style-type: none"> <li>• Turn on the speaker indicator. (11)</li> </ul>
	The tape monitor function is ON.	<ul style="list-style-type: none"> <li>• Press the tape monitor button. (11)</li> </ul>
	The muting function is ON.	<ul style="list-style-type: none"> <li>• Press the muting button. (12)</li> </ul>
	Connections are incomplete or incorrect to the speaker systems, etc.	<ul style="list-style-type: none"> <li>• Check to be sure that all connection wires are correctly connected. (10)</li> </ul>
Sound stops during a performance, or no sound is heard when the power is switched ON. (The word "OVERLOAD" appears on the display.)	The incorrect input selector has been pressed.	<ul style="list-style-type: none"> <li>• Check to be sure that the correct selector is pressed. (11)</li> </ul>
	The protection circuitry has functioned because the positive and negative speaker connection wires are "shorted," speaker systems with an impedance less than the indicated rated impedance of this unit are used or under severe use, such as loud volume, excessive power and in an excessively hot environment.	<ul style="list-style-type: none"> <li>• Switch off the power, and after determining and correcting the cause, switch on the power once again.</li> <li>• Use a speaker system of the proper impedance rating. (10)</li> </ul>

---

**Matsushita Consumer Electronics  
Company, Division of Matsushita  
Electric Corporation of America**  
One Panasonic Way Secaucus,  
New Jersey 07094

**Panasonic Sales Company,  
Division of Matsushita Electric of  
Puerto Rico, Inc ("PSC")**  
Ave 65 de Infantería Km 9 5  
San Gabriel Industrial Park, Carolina,  
Puerto Rico 00985

**Panasonic Canada Inc**  
5770 Ambler Drive,  
Mississauga, Ontario  
L4W 2T3

**RQT3819-P**

H1196V0